

SATAjet® 5000 B



German Engineering

Spray Guns | Cup Systems | Breathing Protection | Air Filtration | Accessories



Design by
**PORSCHE DESIGN
STUDIO**

As versatile as you

Supreme flexibility – The SATAjet® 5000 B

The premium spray gun SATAjet 5000 B sets new quality standards, while painting has become as easy as never before. Being extremely versatile in terms of application distance and inlet pressure, this new high performance spray gun is leading the way. Now, painters have the possibility to set pressure and distance as required by the paint to be applied, the climatic conditions and the work method – to achieve perfect finishes.

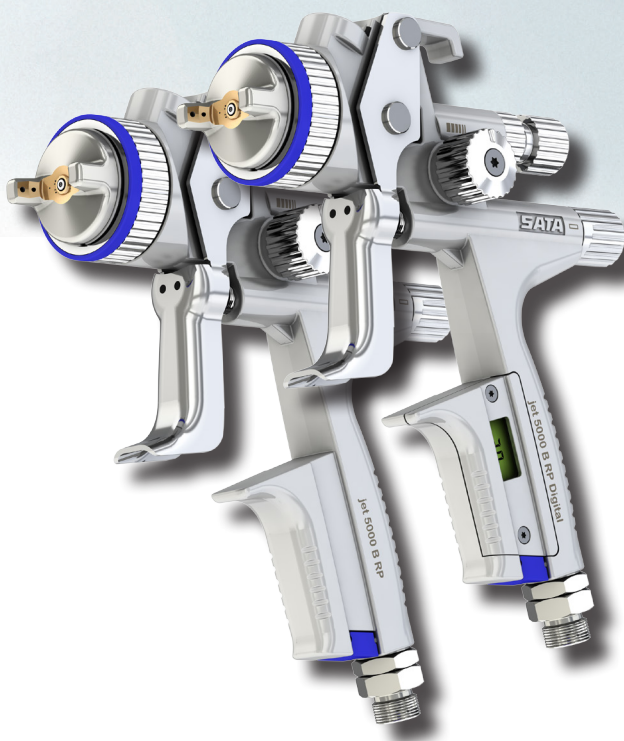
Ergonomics at its finest

The design of **SATAjet 5000 B** has been created by the experts at the Porsche Design Studio who have translated pure functionality into aesthetic form together with the specialists at SATA. Due to the optimised shape of the gun handle, the spray gun fits perfectly in the palm of the hand. In addition, the gun handle of the digital version is identical in size to the standard model which makes it the perfect spray gun for all painters, regardless of the size of their hands.

Easy to operate

Our quest for excellent ergonomics however has not only influenced the development of the gun handle, but equally the design of spray fan control, material flow control as well as the air micrometer. Robust but still low in weight, this spray gun offers a perfect combination of ease of application and durability.

SATAjet 5000 B. The ultimate spray equipment.



Product Benefits

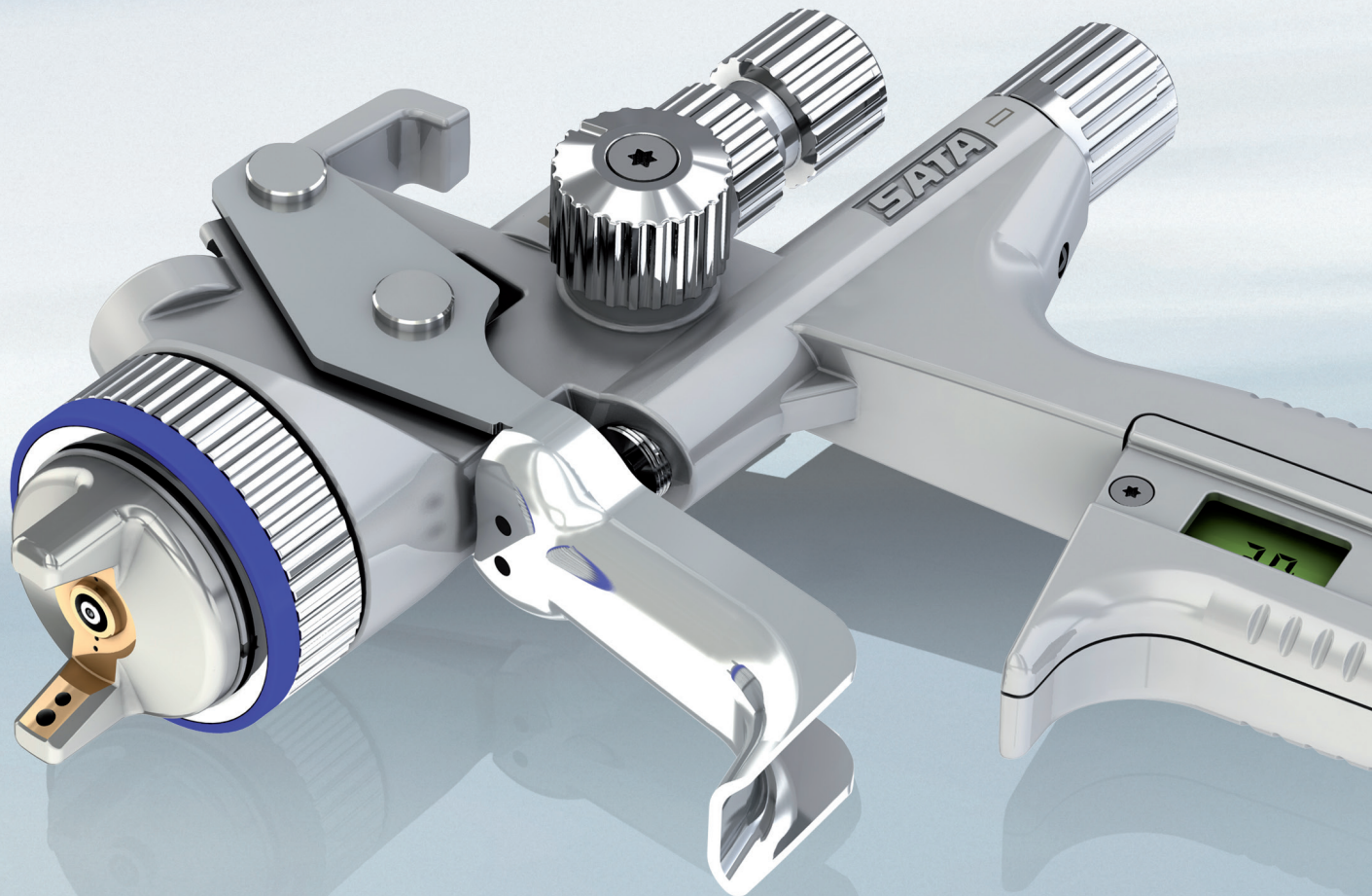
- Optimised nozzle concept for highest possible versatility concerning inlet pressure and spray distance
- Ergonomically shaped gun handle
- Pearlchrome™ surface for easy cleaning, corrosion-resistant
- Easy to adjust control elements
- Safely positioned trigger sleeve – for easy, safe and quick insertion of the paint needle
- Swivel joint with new high performance seal
- Identical compact-size gun handle for non-digital and digital spray guns
- Optimised half-turn spray fan control



Enhanced ergonomic design – the SATAjet 5000 B with optimised gun handle contours suiting every palm

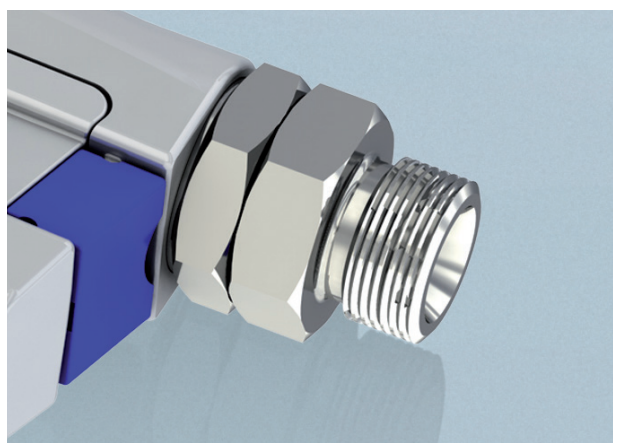
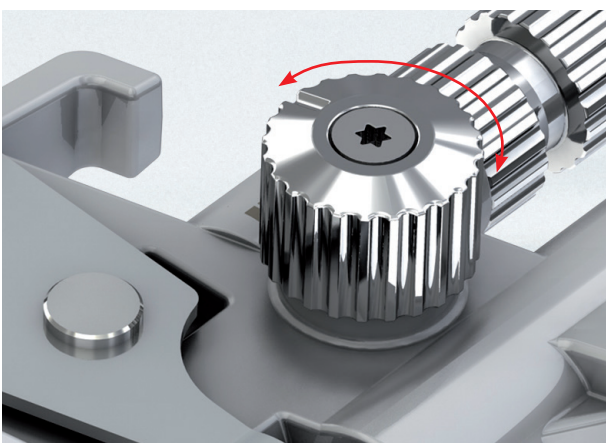


A uniform and flexibly adjustable spray fan according to the specific requirements – the SATAjet 5000 B for perfect finishes



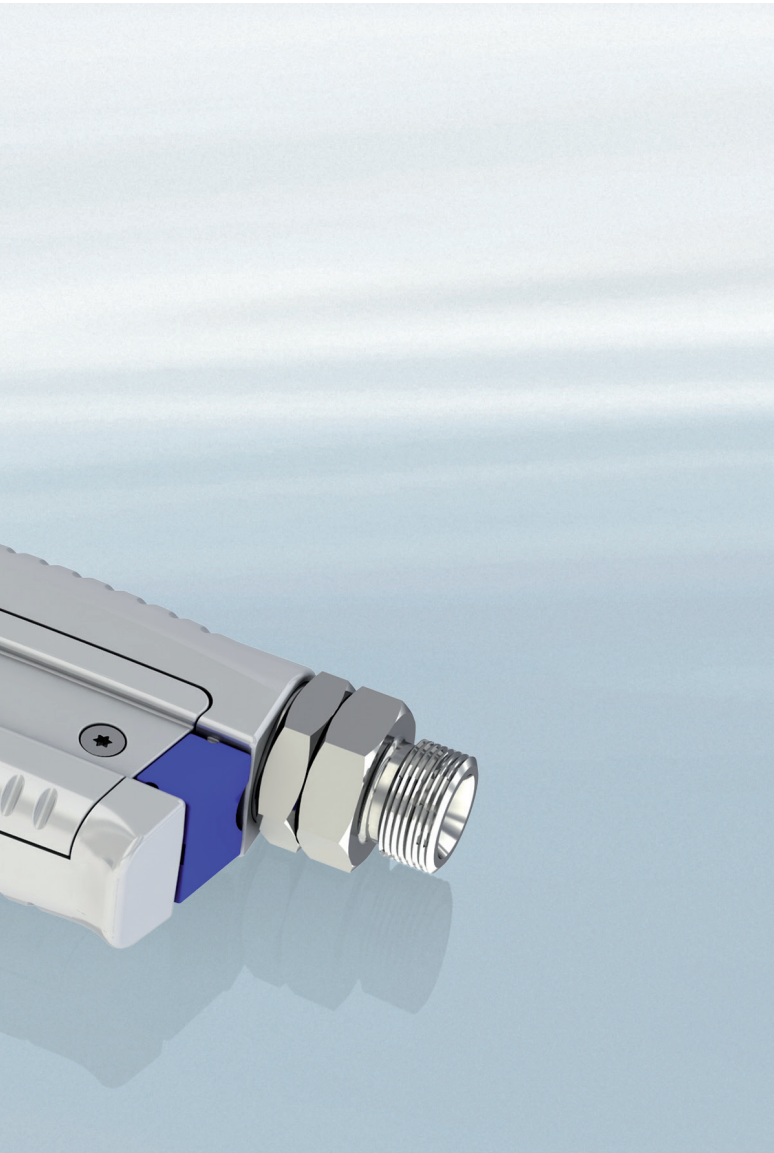
Optimised spray fan control: Quick and precise adjustment of the spray fan with a half turn only

Swivel joint: New high performance seal inside for optimum performance





No adapter required – SATA RPS disposable cups fit directly on the SATAjet 5000 B – for reduced weight and cleaning effort

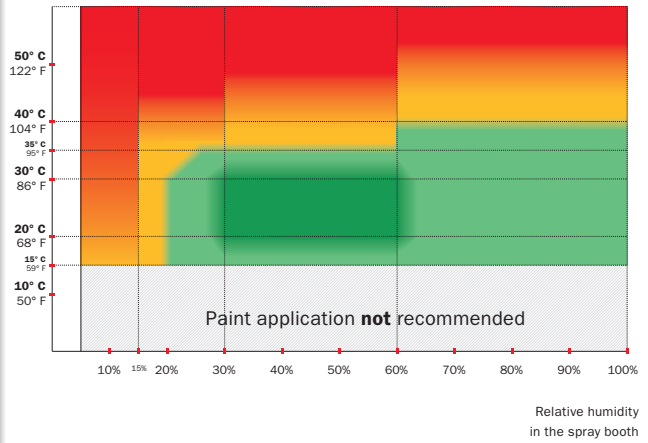


Pressure under control – the DIGITAL® option: Integrated pressure gauge – to ensure perfect reproducibility



Paint application, especially waterborne paints, in different climatic zones ¹⁾



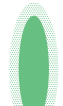
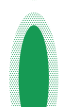
Spray booth temperature



Climatic conditions

- **Extreme**
 Additive ²⁾ and special nozzle set possibly required
Recommendation:
 NS: ↑ by 0.1 – 0.2 (SATAjet 5000 B)
- **Critical**
 Additive ²⁾ possibly required
Recommendation:
 R/F³⁾: ↓ ■■■■■
 IP³⁾: ↓ by 0.2 – 0.5 bar / 3 – 7 psi
 NS³⁾: ↑ by 0.1 – 0.2 (SATAjet 5000 B)
- **Uncritical**
 Additive ²⁾ possibly required
- **Optimal**

Required spray pattern depending on climatic conditions

- 
 Spray pattern with large wet core and reduced oval fan size for extreme climatic conditions
- 
 Spray pattern with wider large wet core for critical climatic conditions
- 
 Standard spray pattern (stretched wet core) for uncritical climatic conditions
- 
 Standard spray pattern (stretched wet core) for optimum climatic conditions

1) Measured inside the spray booth by means of a thermometer or hygrometer. Climatic conditions may vary in regard to temperature and air humidity during the day.
 2) Please observe the paint manufacturers' specifications concerning nozzle recommendations, spray pressure and application method as well as the use of additives depending on the existing climatic conditions. Some paint manufacturers recommend to continue working with the nozzle set indicated for optimum conditions (green area) using additives for special climatic conditions.
 3) R/F Round/Flat control | IP=Inlet Pressure | NS=Nozzle Set

The SATAjet 5000 B, the epitome of perfection

Robust air cap made of chrome-plated brass with **QC™** air cap thread for quick change with one turn only.



QCC™ – Quick Cup Connector. Bayonet cup connection. Ensures quick and clean cup change as well as easy cleaning.

Fluid tip and paint needle made of corrosion-resistant stainless steel.

Fluid tip seal ensuring minimal cleaning effort and safe colour change.

Low maintenance, self-tensioning air piston and paint needle packings.

Gun trigger with paint needle guard ensuring increased life time of the paint needle packing.

Option: Digital pressure display for exact pressure adjustment, perfect colour match and reproducibility.

CCS™ – Color Code System. For the convenient identification of your spray gun.



Gun suspension hook for convenient storage.

Control elements can be perfectly adjusted even wearing gloves.

Larger and easier to regulate material flow control.

Air micrometer for the adjustment of the atomisation air. Highest precision with digital pressure gauge (optional).

Spray fan control allowing fine adjustment with a half turn only.

Ergonomically shaped gun handle.

Easy to clean, corrosion-resistant pearlchrome™ surface.



Warranty: Talking quality is not enough – we guarantee it: for three years!

Two ways to achieve a perfect result: **HVLP** and **RP®**

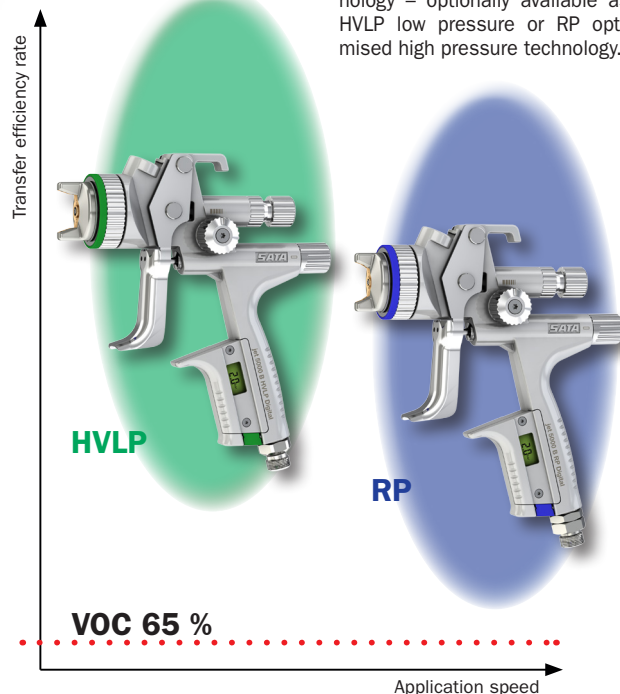
The "Super Saver" SATAjet 5000 B HVLP achieves particularly high transfer rates, due to its low pressure technology.

The "Super Speed" SATAjet B RP with its optimised high pressure technology for maximum application speed and minimum overspray.

Both versions are extremely versatile in application, meeting highest expectations concerning excellent finishes, while far exceeding 65% transfer efficiency rates in accordance with VOC legislation.



VOC-compliant atomisation technology – optionally available as HVLP low pressure or RP optimised high pressure technology.



Superior application – SATAjet 5000 B

The SATAjet 5000 B, achieving brilliant finishes: Whether it be in car refinish, commercial transportation, coating furniture, marine yachts or high quality industrial components – regardless of the paint system being used.

Concerning the correct nozzle size or base coat, clearcoat or single stage materials, please consult your SATA dealer or our website: www.sata.com/SATAjet5000B



Nozzle size	Nozzle size											
	HVLP	1,0	-	1,2	WSB	1,3	1,4	1,5	1,7	1,9	2,2	
RP	1,0	1,1	1,2	1,2 W	1,3	1,4	1,6	1,8	2,0	2,5		
Cpl. with 0.6 l QCC reusable plastic cup, without swivel joint	-	-	210369	210377	210385	210401	210419	-	-	-	-	
	-	-	209627	209635	209643	209650	209668	-	-	-	-	
Cpl. with 0.6 l QCC reusable plastic cup, with swivel joint	210427	-	210435	210443	210450	210484	210500	210518	210534	210542		
	209676	209684	209692	209700	209718	209726	209734	209742	209759	209767		
DIGITAL cpl. with 0.6 l QCC PVC reusable cup, with swivel joint	-	-	210617	210625	210633	210658	210666	-	-	-		
	-	-	209817	209825	209833	209841	-	-	-	-		
Cpl. with RPS disposable cup 0.3 l / 0.6 l / 0.9 l, with swivel joint	-	-	210559	210567	210575	210591	210609	-	-	-		
	-	-	209775	209783	209791	209809	-	-	-	-		
DIGITAL cpl. with RPS disposable cup 0.3 l / 0.6 l / 0.9 l, with swivel joint	-	-	210674	210682	210690	210716	210724	-	-	-		
	-	-	209924	209932	209940	209957	-	-	-	-		
Nozzle set	210955	-	210963	210971	210989	211011	211045	211052	211060	211078		
	210245	210252	210260	210278	210286	210294	210302	210310	210328	210336		

Accessories:

SATA® adam 2™



To upgrade non-digital spray guns to "DIGITAL" – the version for retrofitting the **SATAjet 5000 B Standard** without integrated digital pressure gauge. Ensures correct setting and display of the gun inlet pressure for highest reproducibility. Art. No. 211540



SATA® cert™

Prevent rework before it occurs – with the regular checking of the spray pattern. Art. No. 161596



SATA® RPS™

Replaces reusable plastic cups and fits on the SATA spray guns without adapter. Reduces cleaning effort and helps save solvents. Available sizes: 0.3 l, 0.6 l and 0.9 l. Art. No. upon request



SATA® care set™

The practical tool bag containing useful utensils for gun cleaning and maintenance. Items marked with a red surround are not included in the scope of delivery. Art. No. 162628



Further useful accessories like air hoses, respirators, compressed air filters etc. are available from your SATA dealer.

Your SATA dealer



SATA GmbH & Co. KG
Domertalstr. 20
70806 Kornwestheim
Germany
Tel. +49 7154 811-200
Fax +49 7154 811-194
E-Mail: export@sata.com
www.sata.com